



Serving Health Care

SPEED BIRD
ENTERPRISES

www.birddent.com

ANAESTHESIA INSTRUMENTS

SECTION

10

Anaesthesia Instruments

Laryngoscopes
Laryngoskope

Laryngoscopes
Laryngoscopios

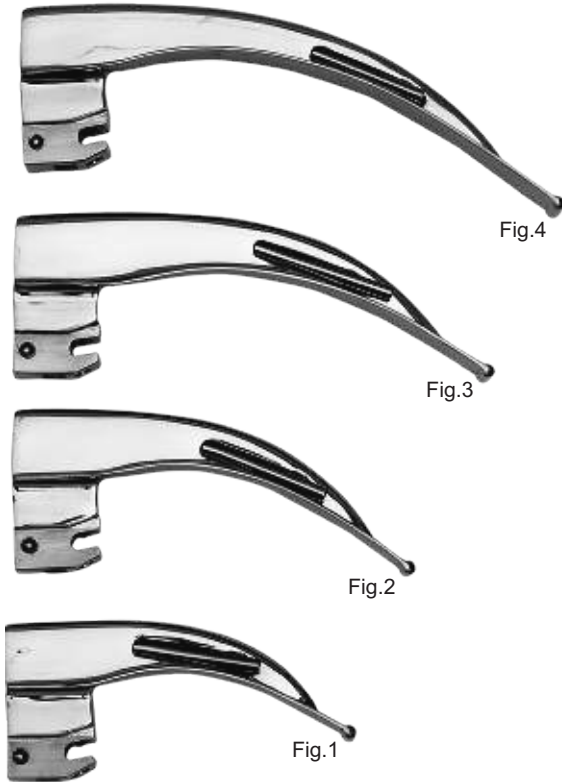
MACINTOSH FIBER OPTIC



SB -1669-29

ADVANTAGES

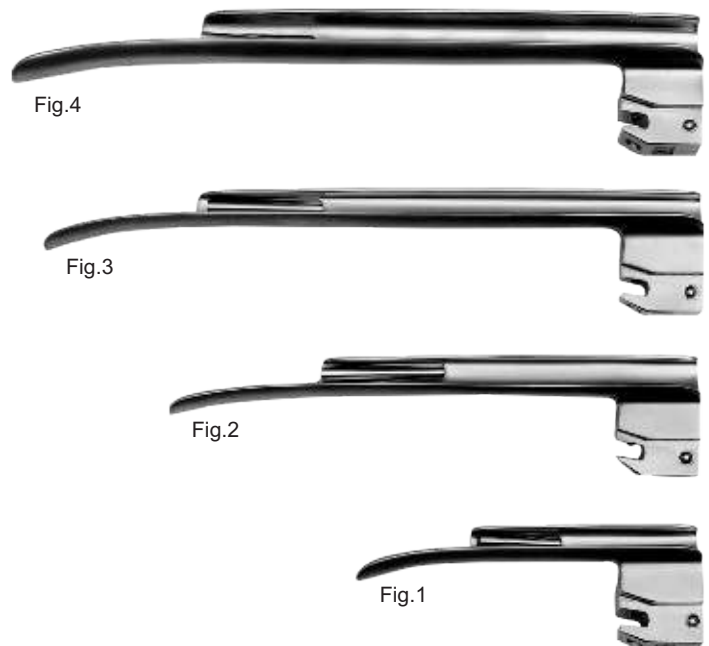
Fiber optic blades with German Bulb
Fiber optic illumination
assembly is detachable
and is easy to clean.
Maintain and re-polished.
Thousands of fiber strings
are firmly secured in stainless steel
pipe cover which saves
from damage or breakage.



MILLER FIBER OPTIC



SB -1670-30



Anaesthesia Instruments

Laryngoscopes
Laryngoskope

Laryngoscopes
Laringoscopios

MILLER CONVENTIONAL



SB -1671-01



Fig.4



Fig.3



Fig.2



Fig.1

ADVANTAGES

Handles

Brass
Universal Fitting with
Non Magnetic pin

Blades

Stainless Steel
Non Magnetic
with german bulb

MACINTOSH CONVENTIONAL



SB -1672-02



Fig.4



Fig.3



Fig.2



Fig.1

Anaesthesia Instruments

Laryngoscopes
Laryngoskope

Laryngoscopes
Laringoscopios

DIAGNOSTIC ENT SET



SB -1673-33

OTOSCOPE SET WITH CASE



SB -1674-34

Anaesthesia Instruments

Laryngoscopes
Laryngoskope

Laryngoscopes
Laringoscopios

Laryngoscope Set, Handle & Blades



SB -1675-00



Miller Baby
SB -1676-00

FIBEROPTIC HANDLES



Fig.1



Fig. 2

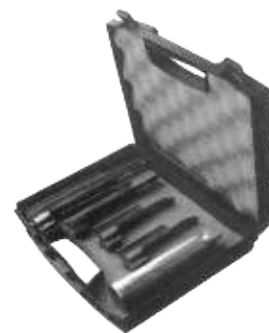


Fig. 3



Fig. 4

SB -1678-00



SB -1677-00
Magil Set of 4 Blade
Size : 1,2,3,4 1Medium Handle
1 Small & 1Large spare Lamp packed in
Strong Plastic Casing with Foam Inserting

ADVANTAGES

Choice of Xenon & Halogen lamps available.
All types of standard lamp threads available.
Easy to replace lamp
Handles fitting is compatible

ADVANTAGES

High quality long life handles
Handles fitting is compatible

CONVENTIONAL HANDLES



Fig.1



Fig. 2



Fig. 3



Fig. 4

SB -1678-39

Anaesthesia Instruments

Otoscopes
Otoskope

Otoscopes
Otoscopios

TONGUE DEPRESSOR



SB -1678-A

PEN TORCH



SB -1678-B

MINI OTOSCOPE FIBER OPTICS



SB -1678-C



SB -1678-D



SB -1678-E

Available in colour



SB -1678-F

SB -1678-G

SB -1678-H

Anaesthesia Instruments

Otosopes
Otoskope

Otosopes
Otoskopios

METAL BODY OTOSCOPIES



SB -1678-J

SB -1678-K

OPHTHALMOSCOPIES



SB -1678-M

SB -1678-N

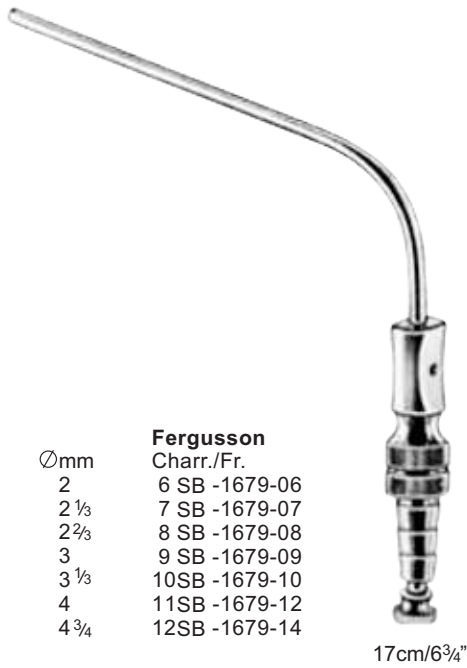


SB -1678-L

Anaesthesia Instruments

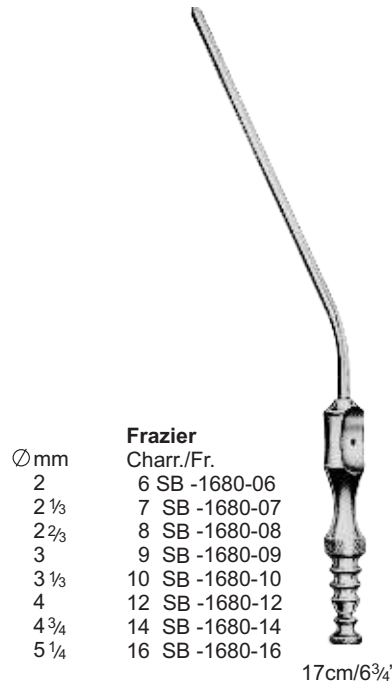
Suction Tubes
Saugrohre

Tubes d'aspiration
tubos de succión



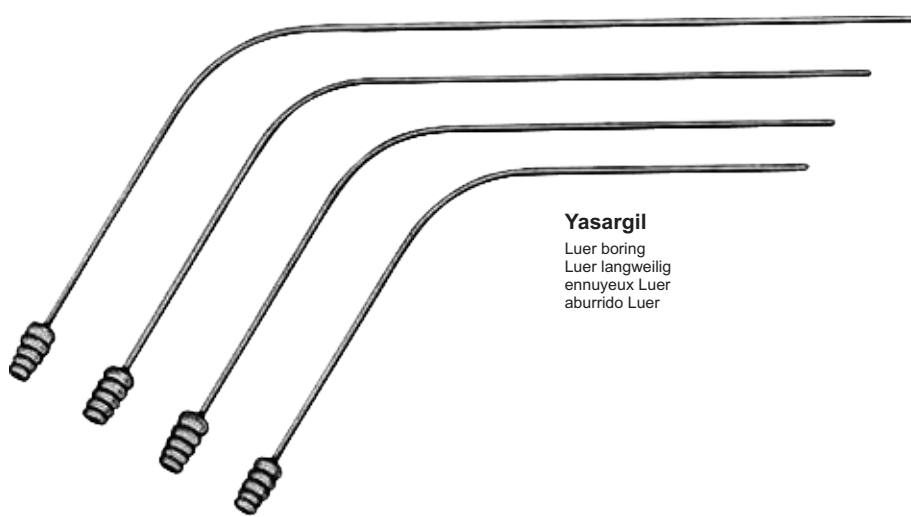
Ømm	Fergusson Charr./Fr.
2	6 SB -1679-06
2 1/3	7 SB -1679-07
2 2/3	8 SB -1679-08
3	9 SB -1679-09
3 1/3	10SB -1679-10
4	11SB -1679-12
4 3/4	12SB -1679-14

17cm/6 3/4"



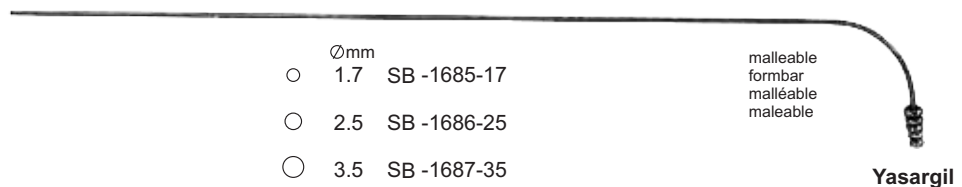
Ømm	Frazier Charr./Fr.
2	6 SB -1680-06
2 1/3	7 SB -1680-07
2 2/3	8 SB -1680-08
3	9 SB -1680-09
3 1/3	10 SB -1680-10
4	12 SB -1680-12
4 3/4	14 SB -1680-14
5 1/4	16 SB -1680-16

17cm/6 3/4"



Yasargil
Luer boring
Luer langweilig
ennuyeux Luer
aburrido Luer

usable length cm	Ømm diam
13	1.5 SB -1681-13
15	1.5 SB -1681-15
18	1.5 SB -1681-18
22	1.5 SB -1681-22
13	2.0 SB -1682-13
15	2.0 SB -1682-15
18	2.0 SB -1682-18
22	2.0 SB -1682-22
13	2.5 SB -1683-13
15	2.5 SB -1683-15
18	2.5 SB -1683-18
22	2.5 SB -1683-22
13	3.5 SB -1684-13
15	3.5 SB -1684-15
18	3.5 SB -1684-18
22	3.5 SB -1684-22
18	4.5 SB -1684-18



Ømm	
○ 1.7	SB -1685-17
○ 2.5	SB -1686-25
○ 3.5	SB -1687-35

malleable
formbar
malléable
maleable

Yasargil

Anaesthesia Instruments

Suction Tubes
Saugrohre

Tubes d'aspiration
tubos de succión



2.0 mm
3.0 mm
4.0 mm
5.0 mm

malleable, black
Temperguss, schwarz
malléable, noire
maleable, negro

∅

2 mm	SB -1688-02
3 mm	SB -1688-03
4 mm	SB -1688-04
5 mm	SB -1688-05

19.5cm/7 "

Brain Suction Tubes
Gehirn Saugschläuche
Tubes d'aspiration du cerveau
Los tubos de succión del cerebro



∅

Plester

1.5 mm	SB -1690-15
2.0 mm	SB -1690-20
2.5 mm	SB -1690-25
3.0 mm	SB -1690-30

19.5cm/7 3/4"



Adson
∅4 mm

Adson
SB -1689-50
21 cm/8 1/4"



∅

Frazier

2.0 mm	SB -1691-20
2.5 mm	SB -1691-25
3.0 mm	SB -1691-30

13cm/5"

Anaesthesia Instruments

Suction Tubes
Saugrohre

Tubes d'aspiration
tubos de succión

Ø 8 mm



Poole
SB -1692-59
22cm/8¾"

Ø 10 mm

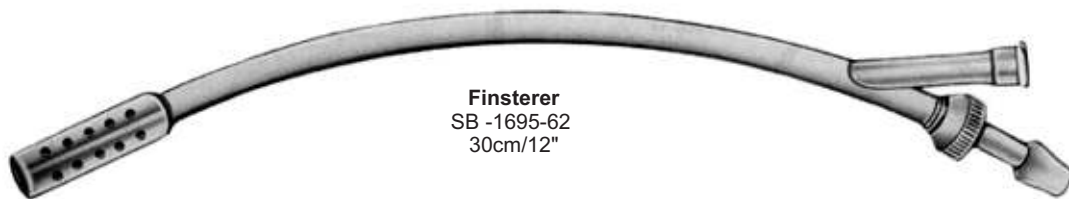


Poole
SB -1693-60
22cm/8¾"

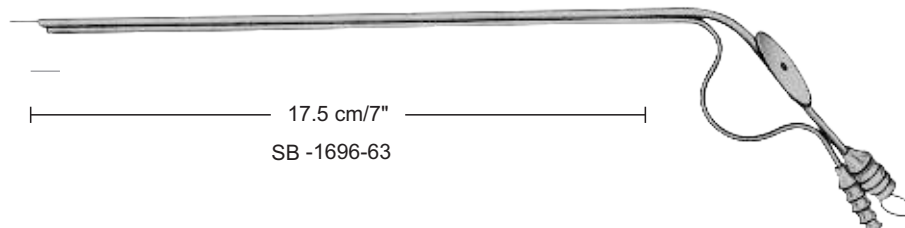
Ø 6 mm



Baby-Poole
SB -1694-61
20cm/8"



Finsterer
SB -1695-62
30cm/12"



17.5 cm/7"

SB -1696-63

Anaesthesia Instruments

Suction Tubes
Saugrohre

Tubes d'aspiration
tubos de succión



Fig. 3
SB -1697-03



Fig. 2
SB -1697-02



Fig. 1
SB -1697-01



Fig. 0
SB -1697-00



Yankauer
SB -1698-53



Yankauer
SB -1699-54
27cm/10½"

with stopcock
mit Hahn
avec robinet d'arrêt
con llave de paso



Yankauer
SB -1700-55
27cm/10½"



Andrew-Pynchon
SB -1701-56
23 cm/9"



Nuboer
SB -1702-57
21cm/8¼"

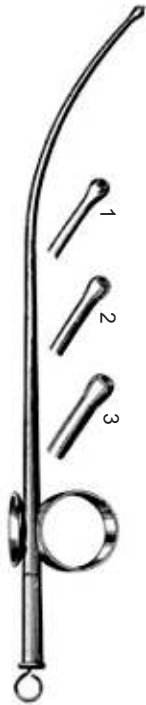


Nuboer
SB -1703-58
21cm/8¼"

Anaesthesia Instruments

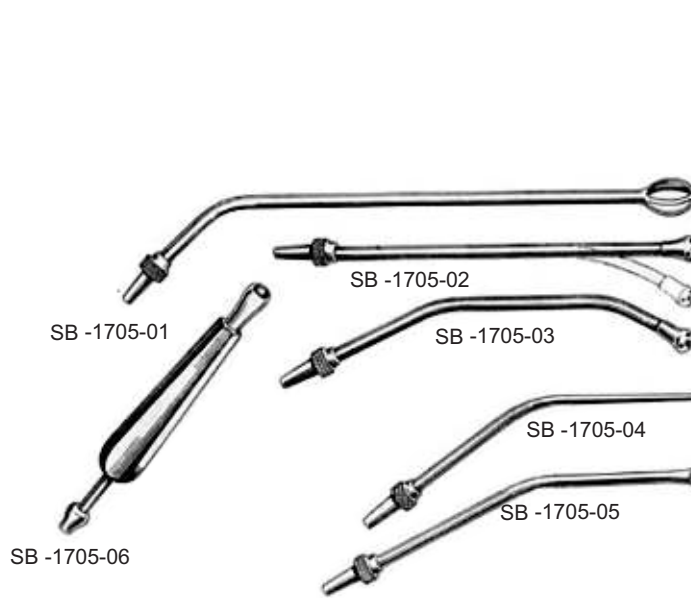
Suction Tubes
Saugrohre

Tubes d'aspiration
tubos de succión



Magill

SB -1704-01=20cm/8"
SB -1704-02=20cm/8"
SB -1704-03=20cm/8"



Yankauer universal
Complete Set
SB -1705-65



Yankauer
SB -1706-34
34.5cm/13¼"



Simpson-Smith
SB -1707-67



Millin
SB -1708-30
30cm/12"

Anaesthesia Instruments

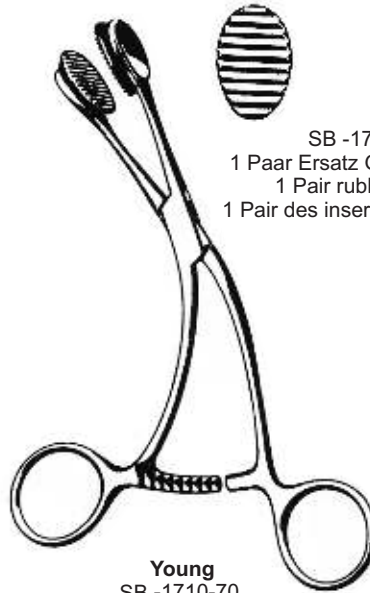
Nasal and Ear Cannulas
Nasen-und Ohr-Kanülen

Nasen-und Ohr-Kanülen...
Cánulas nasales y del oído



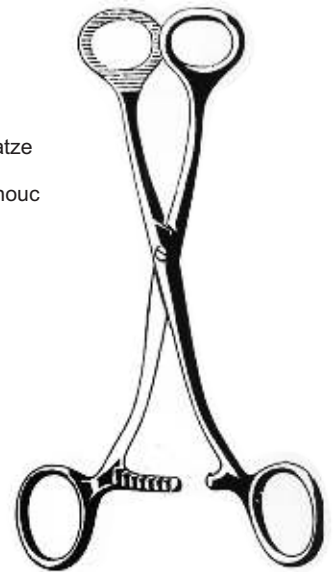
Magill

SB -1709-69
25cm/10"



Young
SB -1710-70
17cm/6 3/4"

SB -1710-70
1 Paar Ersatz Gummieinsätze
1 Pair rubber inserts
1 Pair des inserts en caoutchouc



Collin
SB -1711-16 16cm/6 1/2"
SB -1711-17 17cm/6 3/4"
SB -1711-19 19cm/7 1/2"



Bosworth
SB -1712-72

Tobold
SB -1712-14
14.5cm/5 1/2"



Sternberg
SB -1713-12 12cm/6 3/4"
SB -1713-14 14cm/5 1/2"
SB -1713-16 16cm/6 1/4"

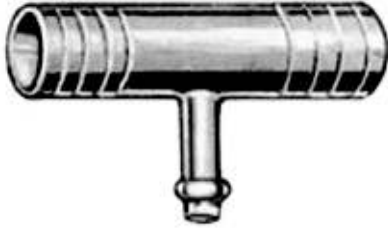


Connel
SB -1714-01 Child
SB -1714-02 Adult

Anaesthesia Instruments

Cheek Retractors - Tongue depressors-Catheter forceps
Wangenhalter - Zungenspatel-Katheter Zange

Écarteurs - Langue abaisse-cathéter forceps
Los retractores mejilla - Lengua depresores-catéter fórceps



Ayre
SB -1715-01 Small
SB -1715-02 Medium
SB -1715-03 Large

Small	Medium	Large
klein	Medium	groß
petit	moyen	grand
pequeño	medio	grande

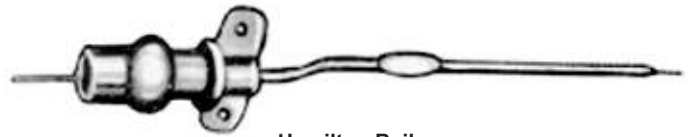


Cobb
SB -1716-01 Small
SB -1716-02 Medium
SB -1716-03 Large

Small	Medium	Large
klein	Medium	groß
petit	moyen	grand
pequeño	medio	grande

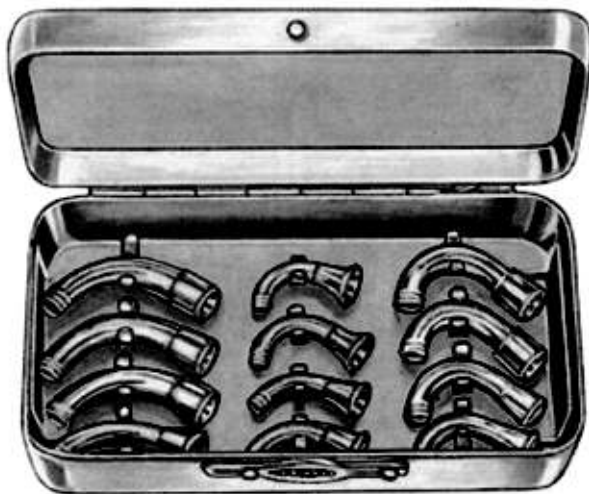


Mitchell
SB -1717-18
SB -1717-20
38mm



Hamilton Bailey
SB -1718-01 Infant
SB -1718-02 Child
SB -1718-03 Adult

Infant	Child	Adult
Säugling	Kind	Erwachsene
nourrisson	enfant	adulte
infantil	niño	adulto



Magill
Connexion Set
SB -1719-00



Magill (Nasal)		Magill (Nasal)	
	mm dia		mm dia
SB -1720-01	5.5	SB -1721-01	5.5
SB -1720-02	6.5	SB -1721-02	6.5
SB -1720-03	7.5	SB -1721-03	7.5
SB -1720-04	8.0	SB -1721-04	8.0
SB -1720-05	8.5	SB -1721-05	8.5
SB -1720-06	9.5	SB -1721-06	9.5
SB -1720-07	10.0	SB -1721-07	10.0
SB -1720-08	10.5	SB -1721-08	10.5



Serving Health Care

SPEED BIRD

ENTERPRISES



**161/C, SMALL INDUSTRIAL ESTATE
SIALKOT-51310, (PAKISTAN)**



: +92-304 0549944



: +92-52-3555584



: speed@birddent.com



: www.birddent.com